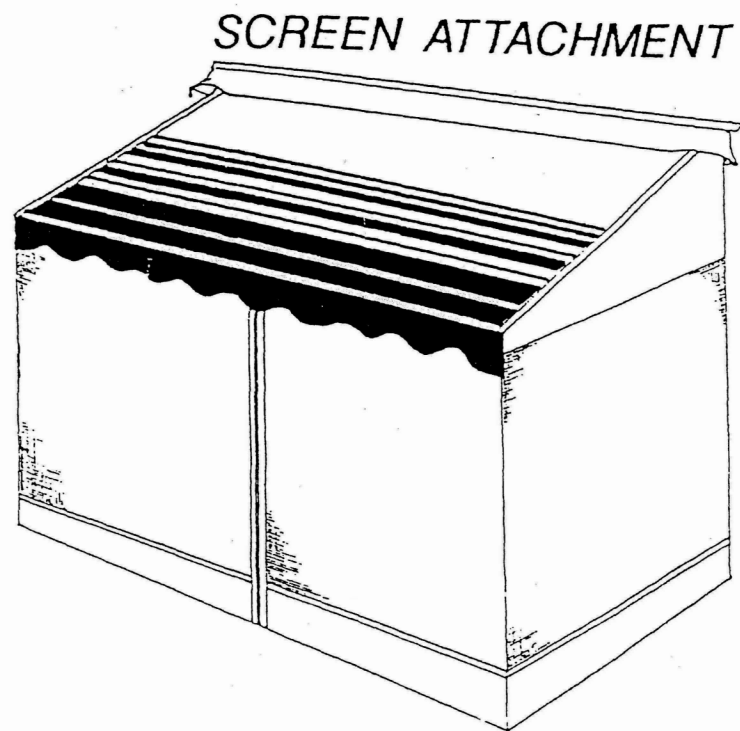
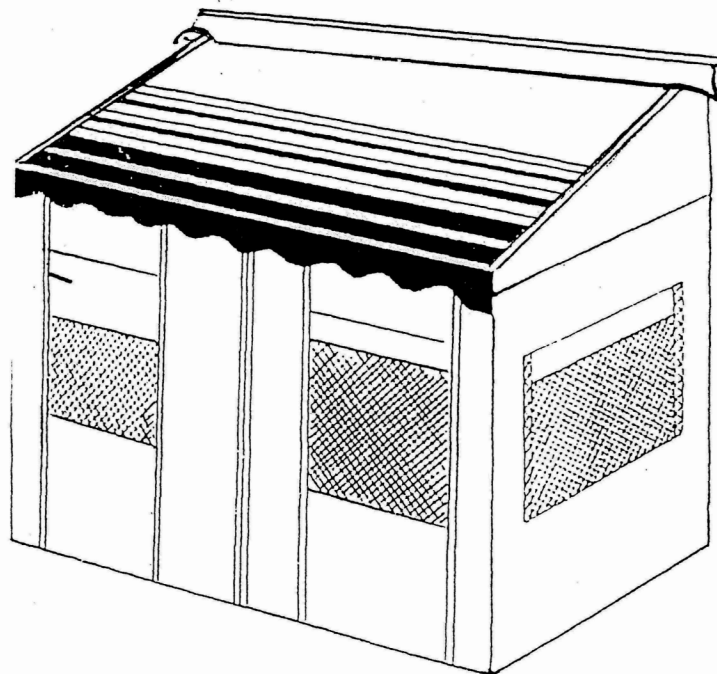


Clean front bar under valance with alcohol. Apply pressure sensitive velcro to front bar under valance as shown in (FIG.5). Allow to set for 24 hours before use.

Fasten front of screen room or add-a-room to front bar by joining velcro together. Pull side panels over rafter bars and join velcro together on top of awning on both sides.



ADD-A-ROOM ATTACHMENT



Align breeze skirt at floor of camper. Locate position of female snap. Mark center on camper. Fasten male stud snaps at these locations. If needed locate wheel cover over wheel well and install studs. Snap into place. On breeze skirt locate placement for velcro. To attach wheel cover stick pressure sensitive velcro to this location. Fasten velcro together to keep breeze out. Stake out unit with provided stakes through loops at bottom of screen room or add-a-room.

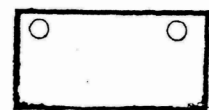
Shade MAKER Products Corporation

PO Box 5271, Buffalo Grove, IL 60089

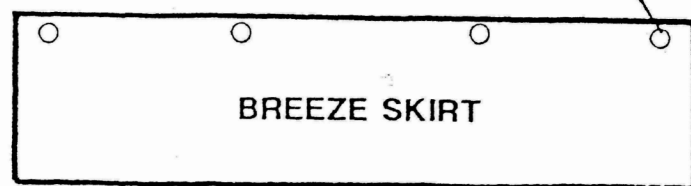
Telephone (773) 955-0998, Fax (773)-955-1074

E-Mail: Shademaker @comcast.net

WHEEL COVER



FEMALE SNAP



BREEZE SKIRT

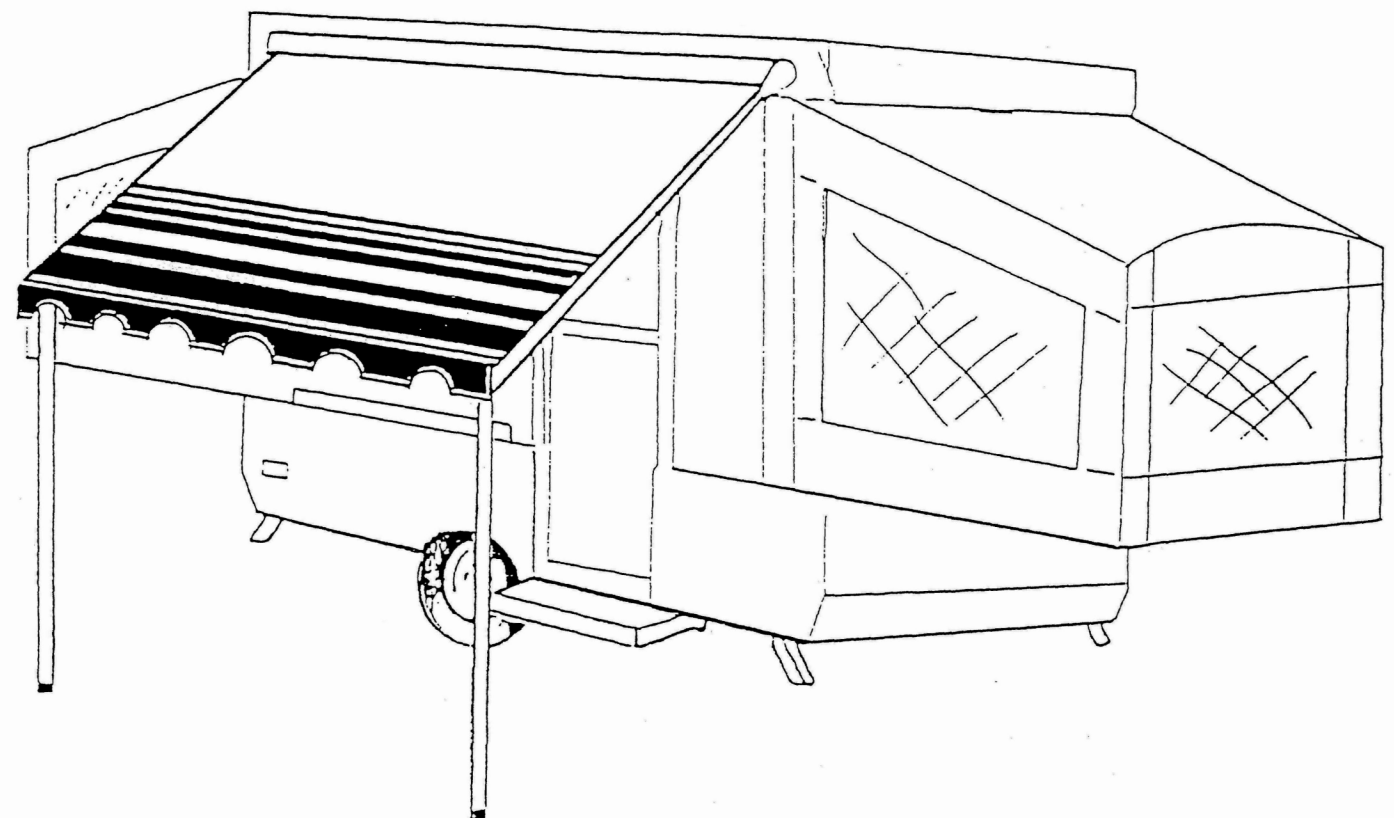


SNAP STUD

ADD-A-ROOM & SCREEN ROOM ATTACHMENTS ARE OPTIONAL ITEMS THAT CAN BE PURCHASED SEPARATELY.

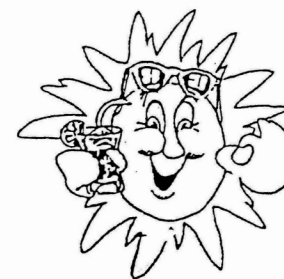
SHADEMAKER

BAG AWNING INSTRUCTIONS & PARTS LIST



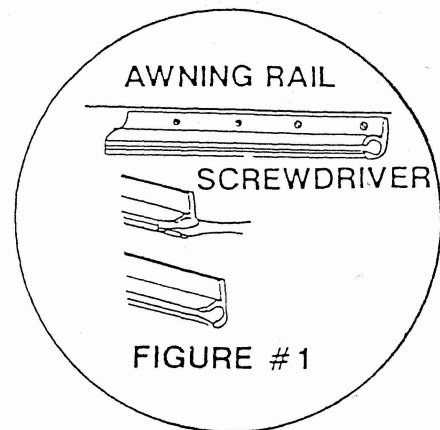
NOTICE

STAKE LEGS SECURELY TO GROUND WITH STAKES PROVIDED. BAG AWNING FRAME IS DESIGNED TO HOLD FABRIC PORTION IN NORMAL WEATHER CONDITIONS. IF HIGH WINDS OR HEAVY RAINS OCCUR, YOU SHOULD FOLD UP AND STORE UNIT IN BAG. IF LEFT UP IN RAINY CONDITIONS, LOWER REAR LEG TO ALLOW RAIN TO RUN OFF FREELY. 1 YEAR LIMITED WARRANTY DOES NOT COVER AWNING FROM WIND DAMAGE, RAIN DAMAGE OR DAMAGE WHILE TRANSPORTING.



Shade MAKER

Shademaker Products Corporation
Plant located in Chicago, IL
PO Box 5271
Buffalo Grove, IL 60089
773-955-0998 Fax: 773-955-1074



AWNING RAIL PREPARATION

Open feed end of awning rail as shown in Figure # 1. This will allow you to insert bag awning bead without snagging the material. Or if you choose you may file off the sharp corners on the awning rail track.

STEP #1

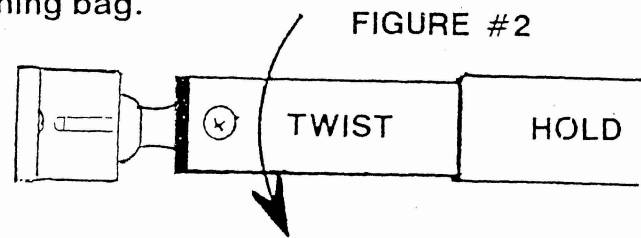
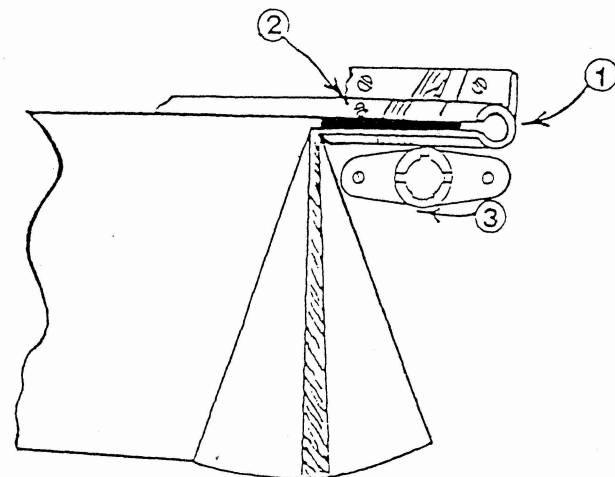
Slide awning into awning rail while bag is still zipped closed.

STEP #2

Install #8x1/2" drill point screw 1" from each end of bag. Fasten through awning rail, fabric and plastic rope. This will keep your awning in place on the camper.

STEP #3

Install socket with #8 x 3/4" sheet metal screws at each edge of awning fabric directly under awning rail. Make sure large groove on socket faces down. Do not install sockets at ends of awning bag.



STEP #4

Unzip awning bag to allow awning to be unrolled. Unroll awning. Unfold ground legs extend them to desired height. Hold stationary tube and twist the other tube as shown in figure #2 to lock ground to adjusted height.

Unfold rafter poles and extend them into to socket under awning rail. Hold one tube and twist the other to lock as in figure #2

STEP #5

Stake out ground poles with provided tent stakes. Drive stake into ground catching stake wire with hook on stake. (FIG.3)

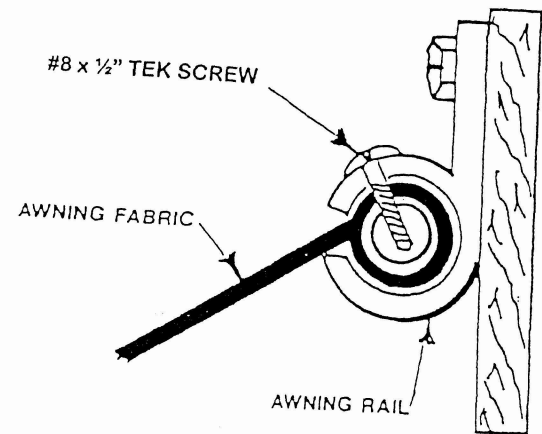
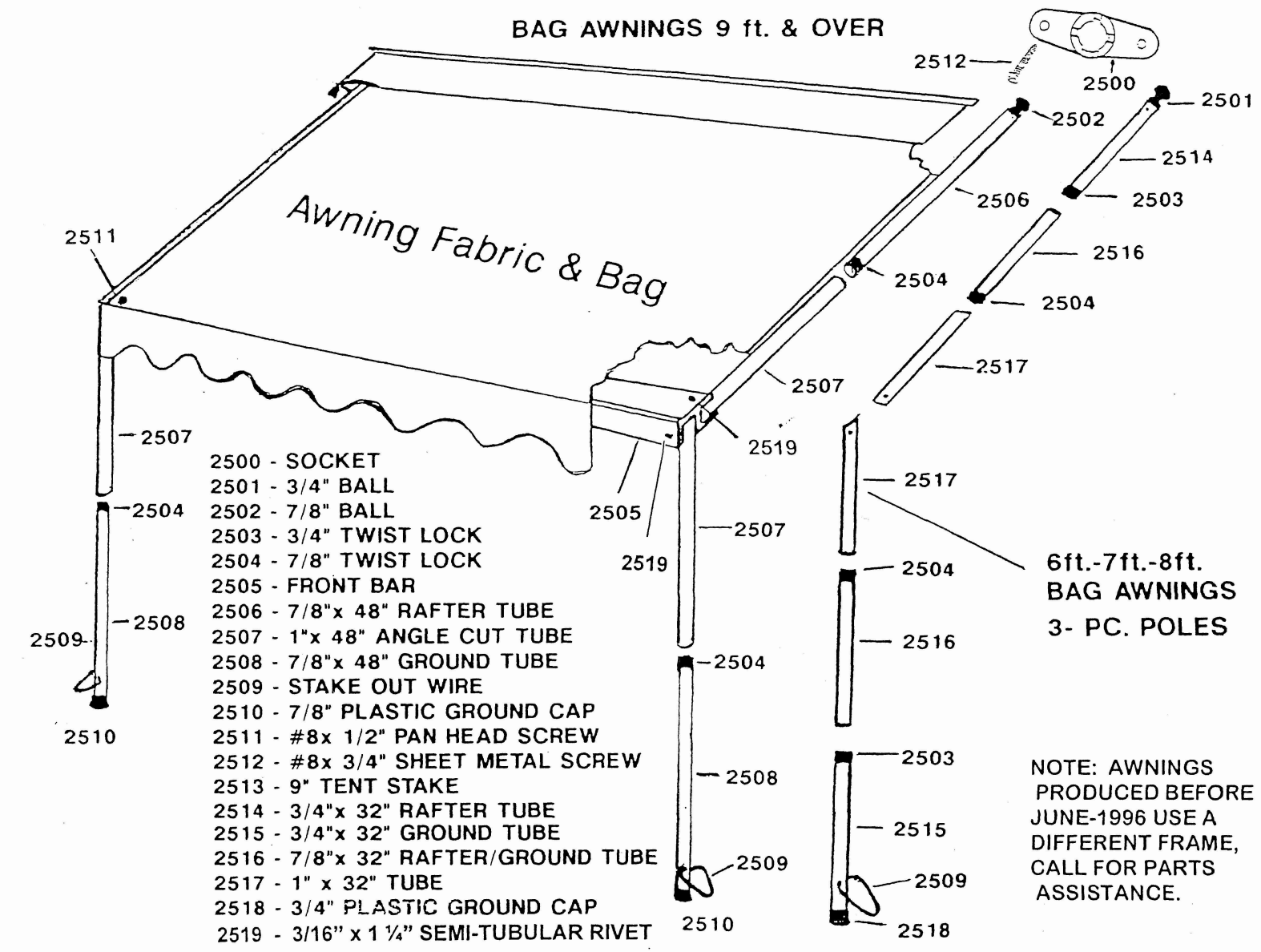
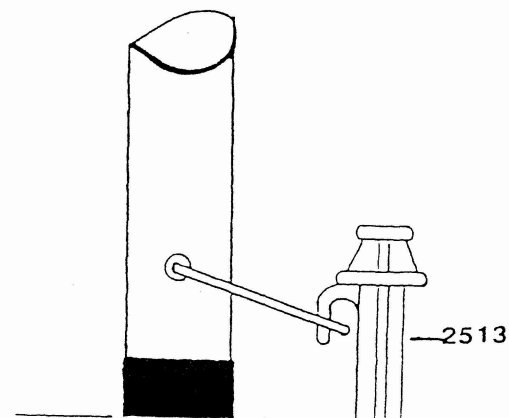
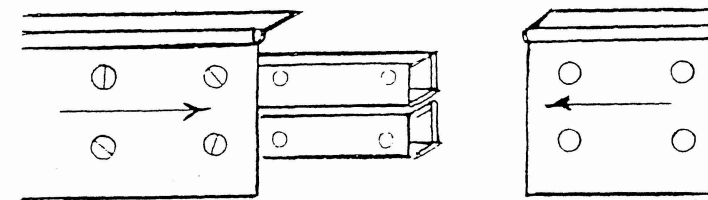


FIGURE #3



FOR ALL K.D. BAG AWNINGS

FIG. (4)



For all K.D. Bag awnings 10 ft. and over, see (FIG4), Install joiner tubes as shown on one half of front bar. Use provided screws making sure they are tight. Lay both halves on a flat surface. Slide both halves of front bar together and fasten with the remaining screws. Tighten all screws. With the front bar facing you, with rail slot up, see (FIG. 5), Insert awning fabric from one end with colored side up. Secure with self-tapping screws through hole provided at each end of rail. Refer to step 1 for installation to camper.

FOR WARRANTY CLAIMS, CALL FACTORY FOR R.G.A. NUMBER. ALL RETURNED MERCHANDISE MUST BE SHIPPED PREPAID. NO C.O.D.'S WILL BE ACCEPTED. SAVE YOUR SALES RECEIPT. YOU MAY BE ASKED TO SUPPLY PROOF OF PURCHASE. WARRANTY APPLIES ONLY TO ORIGINAL OWNER.

1 year LIMITED WARRANTY MATERIAL AND WORKSMANSHIP